

# HAVE A SPECIAL REQUEST?

LIN'S VALUE ADDED RESOURCES

- ✓ Reduce Cost
- ✓ Save Time
- ✓ Better Supply Chain Management
- ✓ Lin Quality Standards for Every Component



## MULTIPLE MOUNTING CONFIGURATIONS

NEMA's 8, 11, 14, 17, 23 and 34  
page 19-68

## MULTIPLE SHAFT OPTIONS\*

EXTENDED FLAT HELICAL CUT



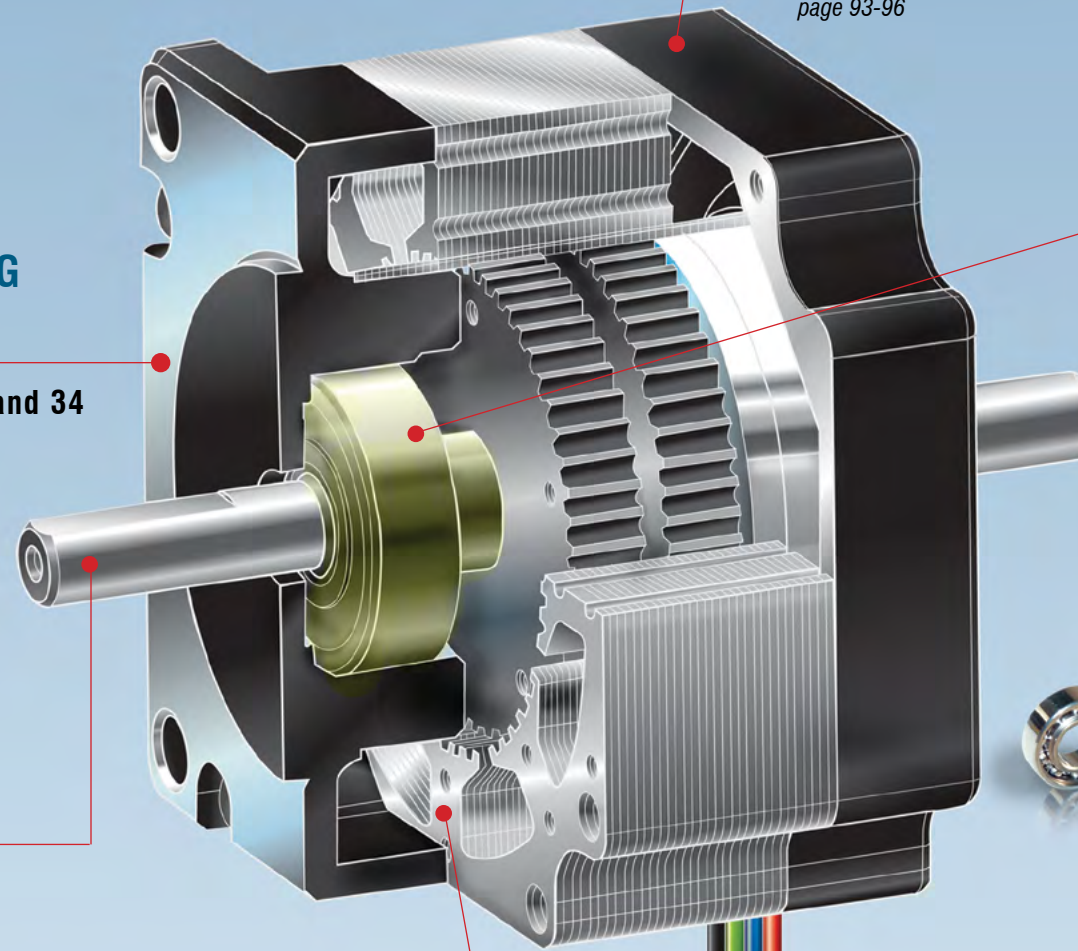
SLOTTED HOLLOW CROSS DRILLED



PRESS FIT GEAR & PULLEY



\* Based on customer provided drawings and specifications.  
See page 69 for more shaft options.



## ENCODERS, DAMPERS, GEARBOXES, & MECHATRONICS



**Position**  
Verification & Accuracy  
with Encoders  
page 93-96



**Reduce**  
Resonance & Vibration  
with Dampers  
page 97-98



**Increase**  
Torque & Speed  
with Gearboxes  
page 89-92



**Utilize**  
Intelligent Motors  
with Mechatronics  
page 71-82



**Customize**  
Drivers & Controllers  
with Tailor Made  
Motion Control Solutions  
page 99-100

## BEARINGS & LUBRICANTS

Ball Bearings, Stainless Steel Bearings, Seals, Special Lubricants for high temperature/ humid operation



### WATER/ DUST PROTECTION

NEMA 17, 23 & 34  
IP65 (Splash proof)  
IPX7 (Submersible)  
page 68

### VACUUM RATED

NEMA 11, 17 & 23  
1.8° MOTOR  
page 67

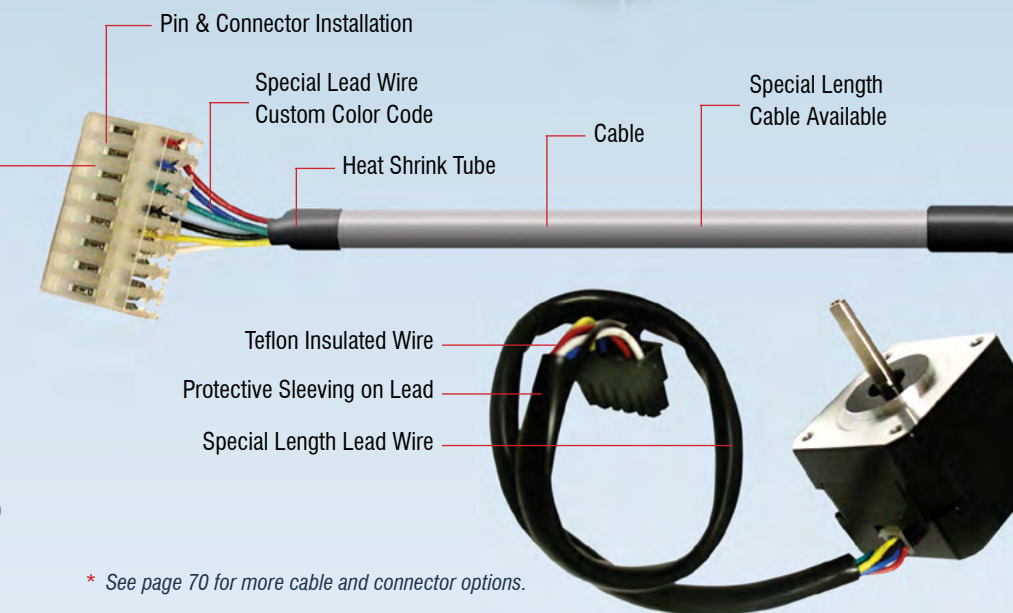
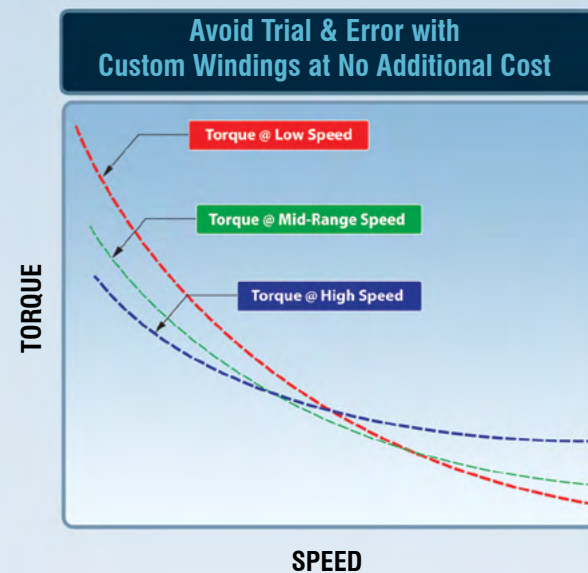
## LEAD WIRES & CABLES

## WINDING

Lin can help calculate speed, torque & input power creating a winding that is specific to your application at no extra cost

### THE BENEFITS?

- ★ Torque at Your Required Speed (High, Low, or Mid-Range)
- ★ No Trial & Error
- ★ Save Time, Resources, and Energy



\* See page 70 for more cable and connector options.