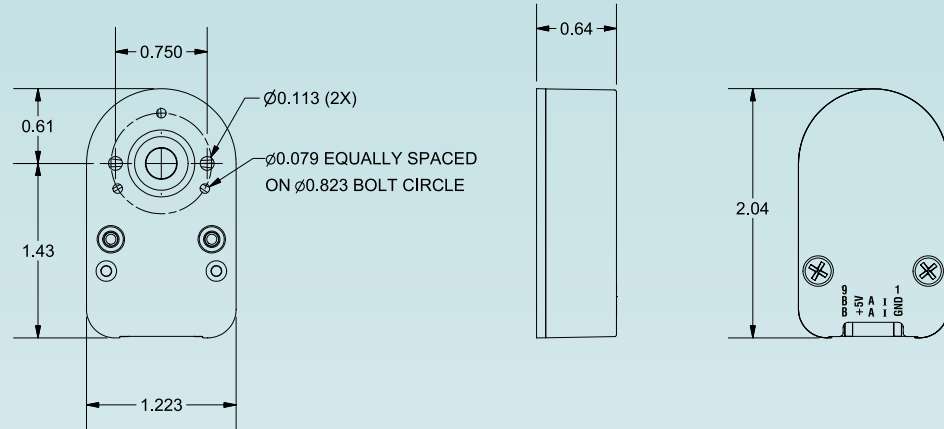


SPECIFICATIONS

- Best for NEMA 17, 23, and 34
- Differential Output signals (or single ended)
- 32 to 1,250 Cycles per Revolution (CPR)
- 128 to 5,000 pulses per revolution (PPR)
- Positive finger-latching polarized connector
- Tracks from 0 to 100,000 cycles/sec
- Optional index (3rd channel)
- -40 to 100°C operating temperature
- 2 year warranty
- Through shaft hole option available



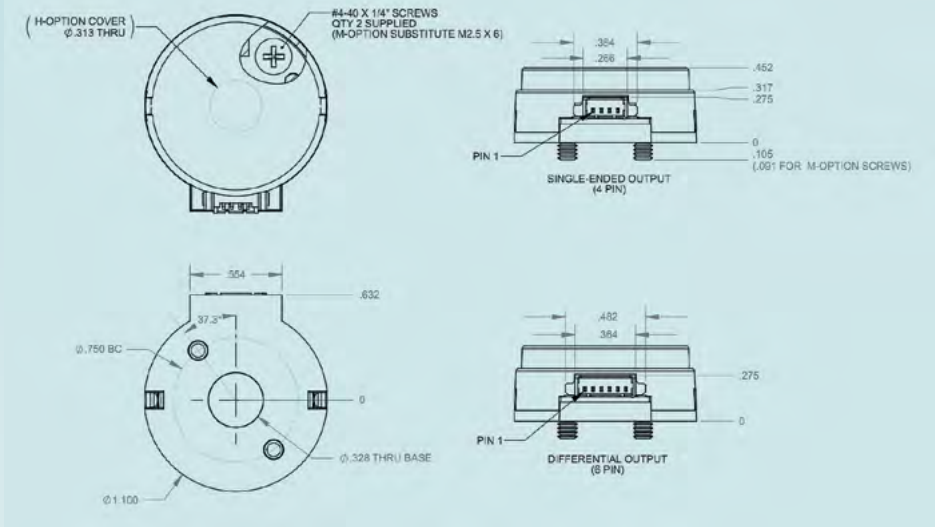
E5 OPTICAL ENCODER



Cycles per second	Cycles per Revolution (CPR)	Pulses per Revolution (PPR)
0 to 100,000	32 to 1,250	128 to 5,000

SPECIFICATIONS

- Best for Size 11 Step Motor
- High retention Snap-in polarized connector
- Tracks from 0 to 60,000 cycles/ sec
- 180 to 512 cycles per revolution (CPR)
- 720 to 2048 pulses per revolution (PPR)
- -20 to +100°C operating temperature
- Through shaft hole option available.
- 2 Year warranty



E8P OPTICAL ENCODER



Cycles per second	Cycles per Revolution (CPR)	Pulses per Revolution (PPR)
0 to 60,000	180 to 512	720 to 2048

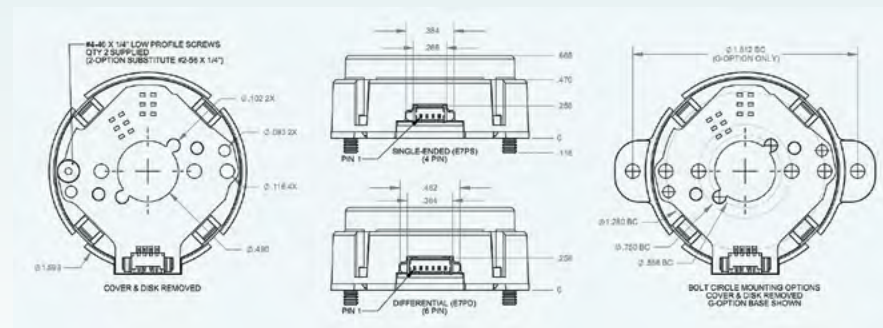
SPECIFICATIONS

- Best for NEMA Size 17 & 23
- High retention Snap-in polarized connector
- Tracks from 0 to 60,000 cycles/ sec
- 180 to 720 cycles per revolution (CPR)
- 720 to 2880 pulses per revolution (PPR)
- -20 to +100°C operating temperature
- Through shaft hole option available
- 2 Year warranty

E7P OPTICAL ENCODER



Cycles per second	Cycles per Revolution (CPR)	Pulses per Revolution (PPR)
0 to 60,000	180 to 720	720 to 2,880



Accessories



Used with
E4P, E7P & E8P
Lin part #090-00023



Used with
E2, E3 & E5
Lin part #090-00223



Used with E5 with
the D output option
(E5 with D option)
Lin part #090-00226

For more information, please visit
www.linengineering.com/encoders